



*Your Best Buy*

## API Rock Drilling Tools



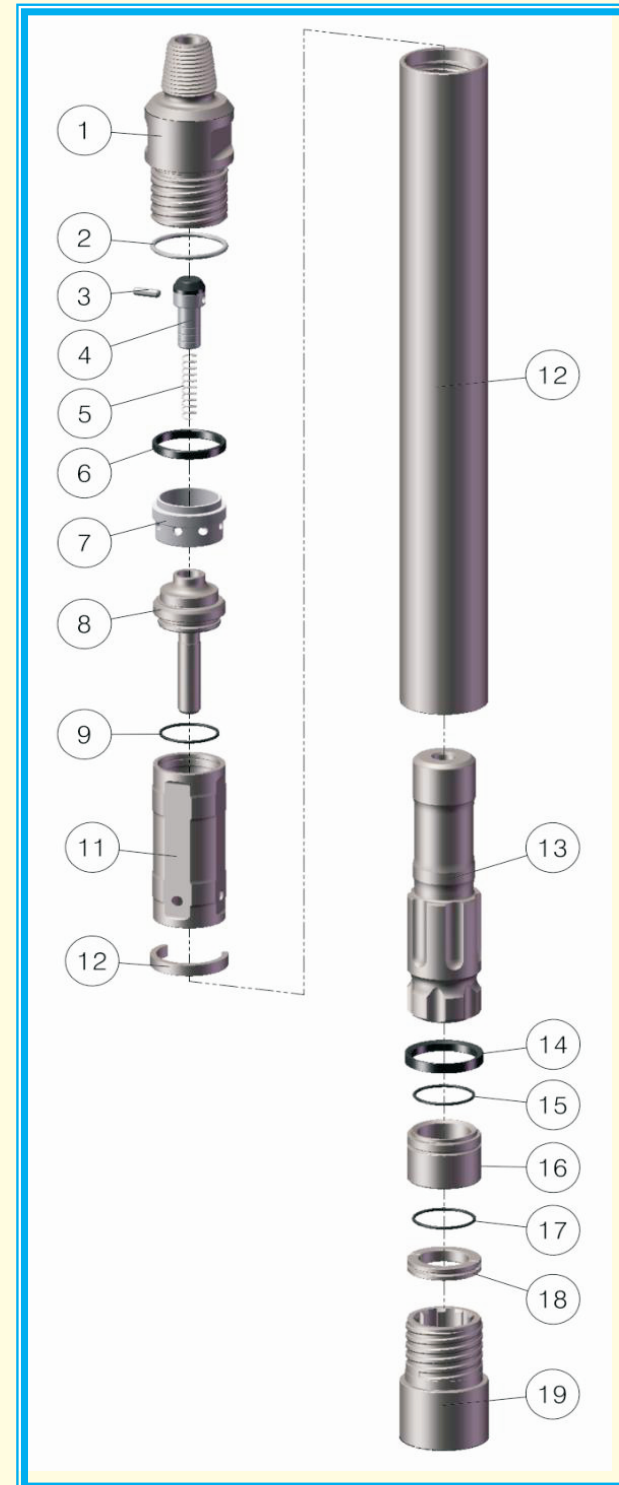
### Strong performance and affordability

Our Quantum Leap (QL) product line is available for those seeking a good balance between strong performance and cost. This product line was the drilling industry's first hybrid-combination of valve and valveless-air cycle down-hole drills. Setting many industry benchmarks, the Quantum Leap (QL) line continues to offer good value.





Your Best Buy



COMPONENT PART		
Item #	Description	Qty.
1	Back Head	1
2	Back Head O-Ring	1
3	Plug (Choke)	1
4	Air Check Valve	1
5	Air Check Valve Spring	1
6	Make-Up Rubber (Buffering)	1
7	Air Guide	1
8	Air Distributor	1
9	Air Distributor O-Ring	1
10	Cylinder	1
11	Cylinder Stop Ring	1
12	Wear Sleeve	1
13	Piston	1
14	Piston Stop Ring (Buffering)	1
15	Bearing O-Ring	1
16	Bearing	1
17	Bit Retaining O-Ring	1
18	Bit Retaining	1
19	Chuck (Drive Sub)	1

General Specifications				
Description	Standard		Quarry	
	English	Metric	English	Metric
Standard drill pipe connection (see options)	2 3/8 API reg pin		2 3/8 API reg pin	
Outside diameter (in & mm)	3.7	94	3.9	98
Length w/o bit shoulder to shoulder (in & mm)	37.3	947	37.3	947
Length with bit extended (in & mm)	41.8	1061	41.8	1061
Length with bit retracted (in & mm)	40.4	1026	40.4	1026
Weight w/o bit (lb & kg)	71	32	81	37
Backhead across flats (in)	1 3/4 x 2 1/2 AF		1 3/4 x 2 1/2 AF	
Minimum bitsize (in & mm)	4.1	105	4.25	110
Maximum bitsize(in&mm)	5.0	125	5.0	125
Bore (in & mm)	3.0	76	3.0	76
Piston weight (lb & kg)	17	8	17	8
Stroke(in & mm)	4.0	102	4.0	102
Maximum pressure differential (psig & bar)	350	25	350	25
Maximum choke diameter (in & mm)	0.38	9.6	0.38	9.6
Make-up torque (ft-lb & N-m)	4000	5416	4000	5416
Shank style	QI40		QL40	

AIR CONSUMPTION CHART								
Arrangement	PSI	100	150	200	250	300	350	400
CFM with blank choke		-	240	340	440	540	-	-
with 1/8" choke		-	375	595	760	925	1,060	1,205
with 1/4" choke		-	425	665	845	1,095	1,270	1,350

Head Office  
**ASSOCIATED PNEUMATIC INDUSTRIES PVT. LTD.**  
 154 LENIN SARANI, ROOM NO-302,  
 KOLKATA-700 013, W.B., INDIA.  
 P - +91 33 22151739, F - +91 33 22155519  
 e-mail : apiindia1980@gmail.com., info@api-india.com  
 www.api-india.com

DEALER